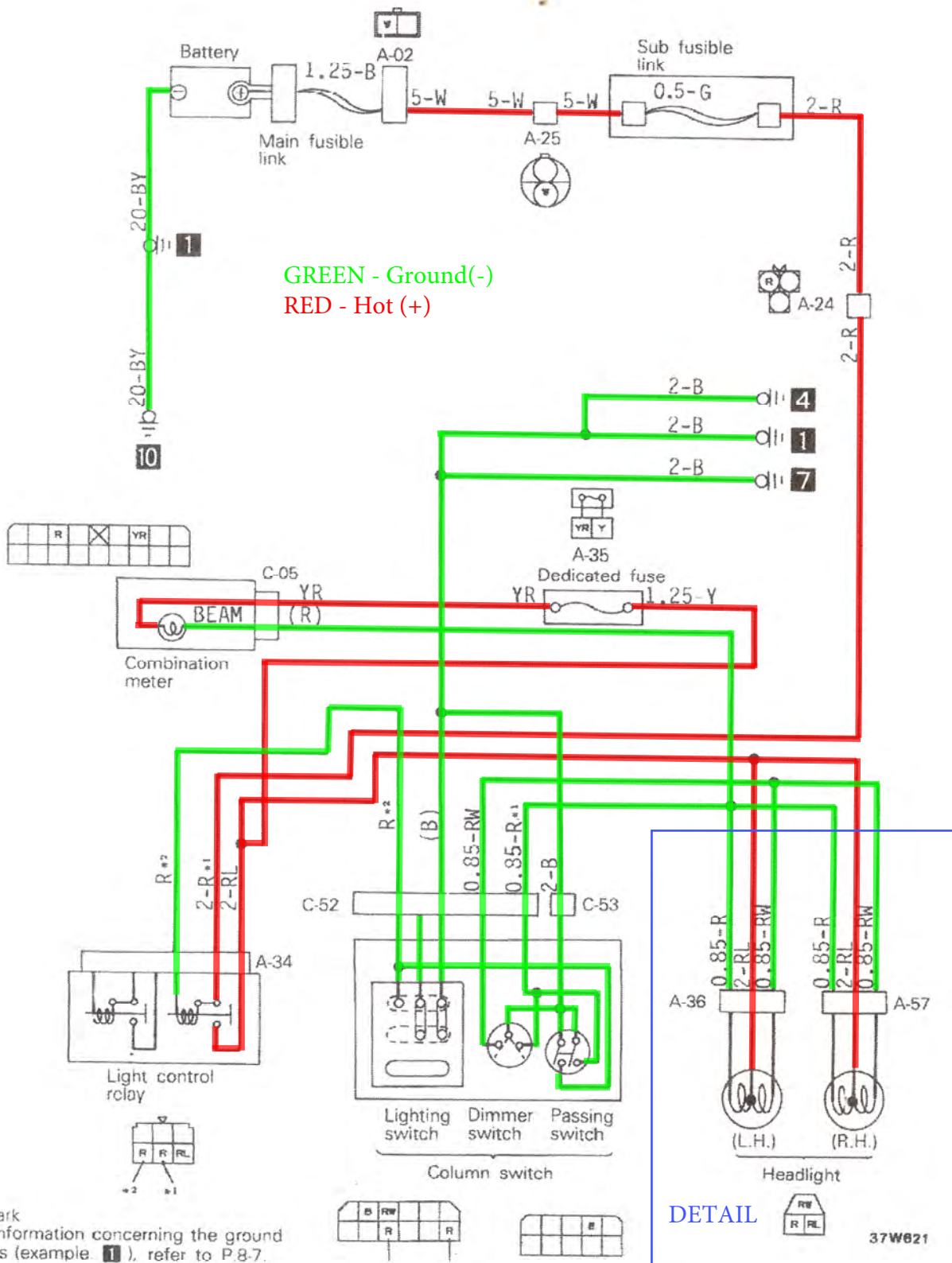


# 7 HEADLIGHT CIRCUIT

## EXISTING WIRE LAYOUT

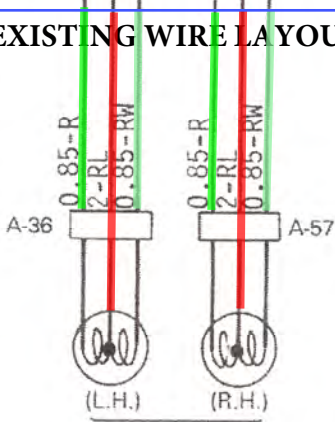


Remark  
For information concerning the ground points (example **1**), refer to P.8-7.

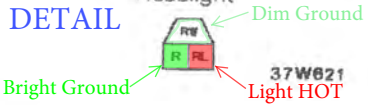
Wiring color code

- |                |           |          |          |           |                 |
|----------------|-----------|----------|----------|-----------|-----------------|
| B: Black       | Br: Brown | G: Green | Gr: Gray | L: Blue   | Lg: Light green |
| Lt: Light blue | O: Orange | P: Pink  | R: Red   | Y: Yellow | W: White        |

# EXISTING WIRE LAYOUT

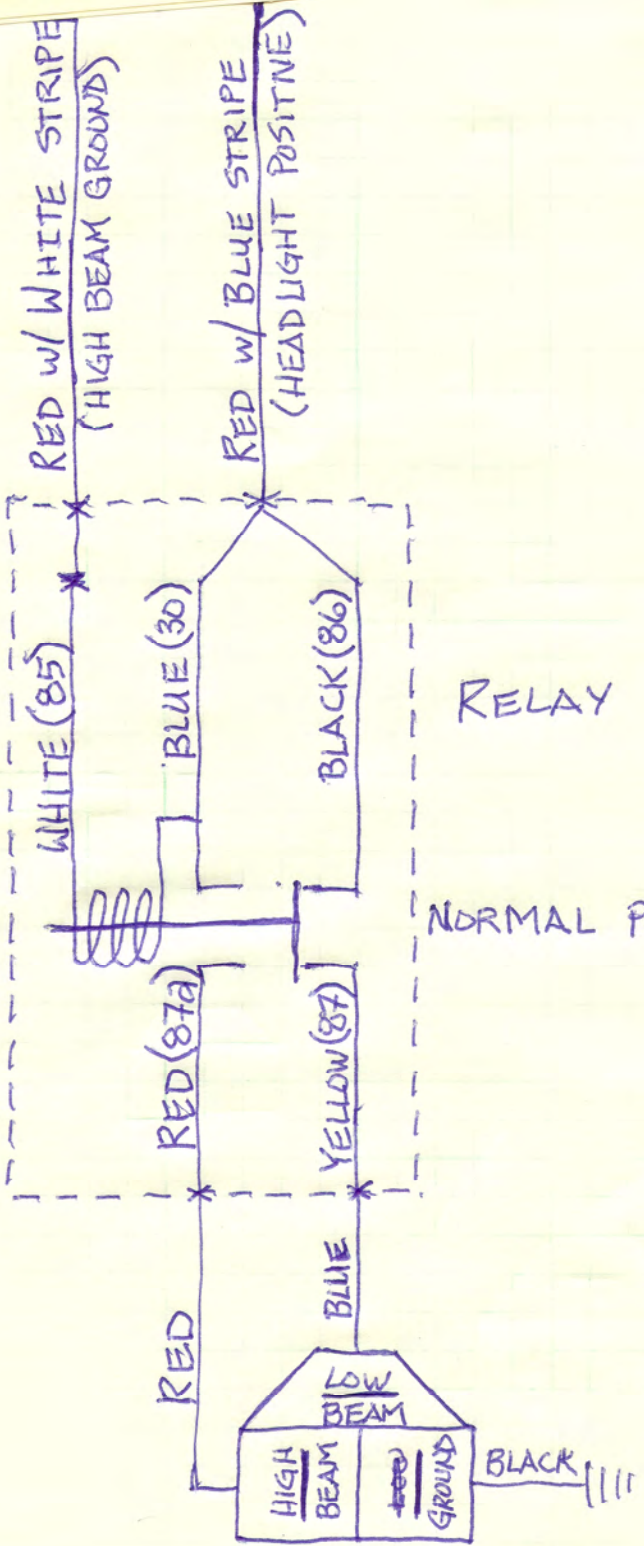


## DETAIL

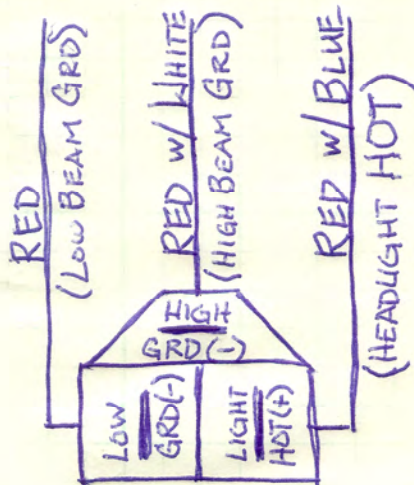


# NEW WIRE LAYOUT w/ RELAY

RED (NOT NEEDED)  
(LOW BEAM GND)



# EXISTING GRD SWITCHED BULB PLUG (A-36 & A-57)



# NEW "STANDARD" H4 BULB PLUG (FOR LED LIGHTS)

